



Easy Do-It-Yourself installation  
with our Quick Connect® line set

Installing the MRCOOL DIY® does not require specialized tools or training. It does require basic technical skills. You are assuming the risk by handling materials containing refrigerants under pressure including that if not handled properly, refrigerant can cause bodily injury. If you do not feel comfortable conducting this installation process yourself, we recommend you retain the services of a qualified HVAC professional.

# QUICK START Setup Guide DIY® E Star™ Series

3RD GEN Do-It-Yourself Ductless Mini-Split Heat Pump A/C



Note: This guide is for convenience. Please refer to the more detailed installation instructions in the manual as needed.

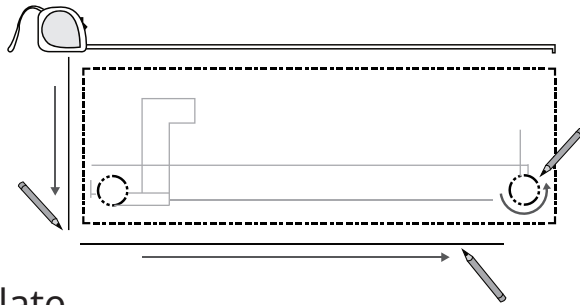
[www.mrcool.com](http://www.mrcool.com)



## STEP 1 - inside

1. Locate the wall template.
2. Place the template on the wall at the installation location.

3. Use the template to mark the drill points and wall hole site.

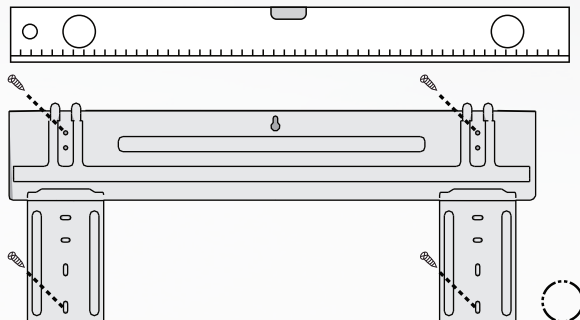


4. Remove the template.

## STEP 2 - inside

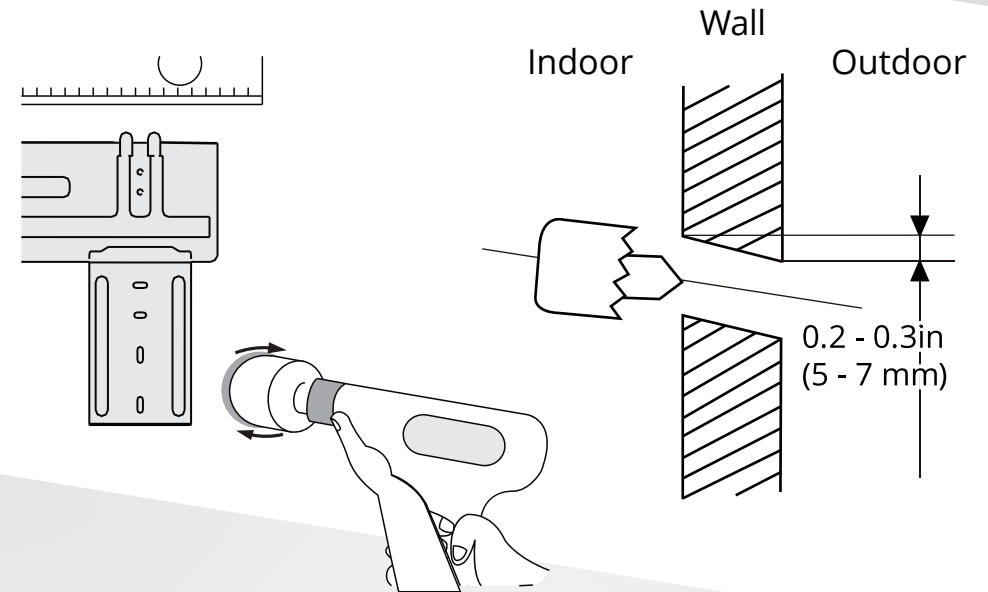
1. Drill screw holes at the indicated points into studs.
2. Remove the bracket from the rear of the interior air handler.
3. Screw the metal bracket to the wall according to the template.

4. Use a level to ensure the mounting plate is flush and level.

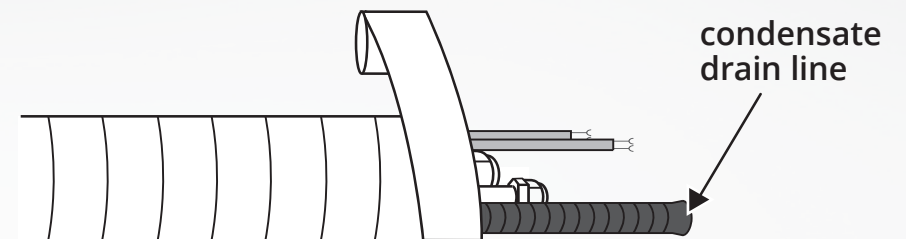


## STEP 3 - inside

1. Drill a 3.5 inch diameter hole through the wall, at a slightly downward angle, to accommodate the line set, condensate drain line and communication cable to the exterior condenser.

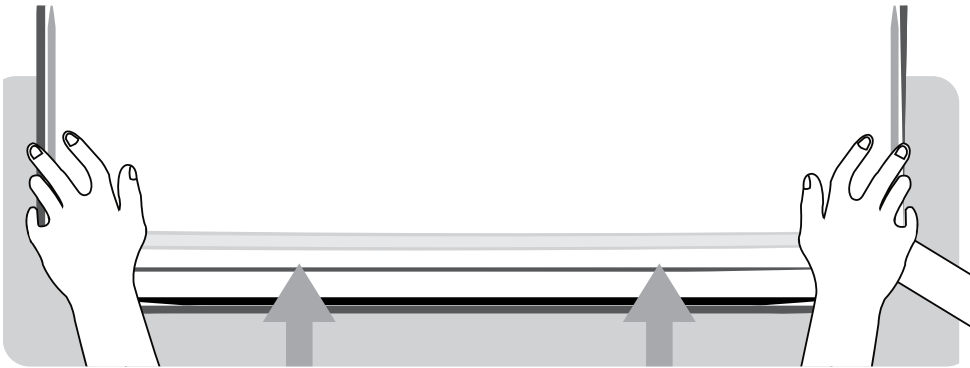


2. Use the vinyl tape to wrap the line set, condensate drain line and communication cable into a bundle. The drain MUST be on the bottom.
3. Push the bundle through the wall hole.



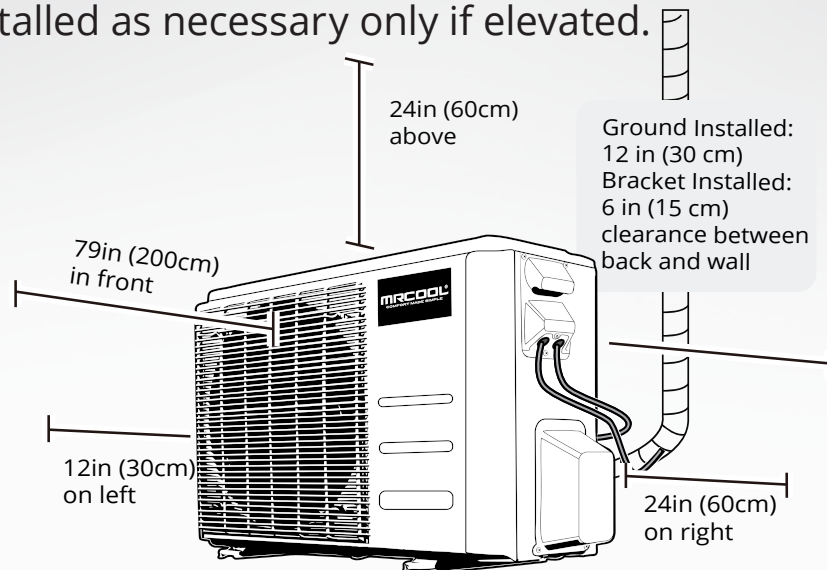
### STEP 3 - continued

4. Snap the air handler onto the wall bracket.



### STEP 4 - outside

1. Place outside condenser unit firmly on the ground or attach it to a secure metal wall bracket or pad. Drain pipe is not required and can be installed as necessary only if elevated.



### STEP 4 - continued

2. Remove the plastic seals from the indoor handler refrigerant lines.

3. Carefully unroll the amount of Quick Connect® line set needed to connect the indoor handler fittings and the outside condenser. Leave the coiled portion stored near the condenser.

4. Align the Quick Connect® refrigerant lines to the matching indoor handler fittings. Tighten the first few threads by hand.

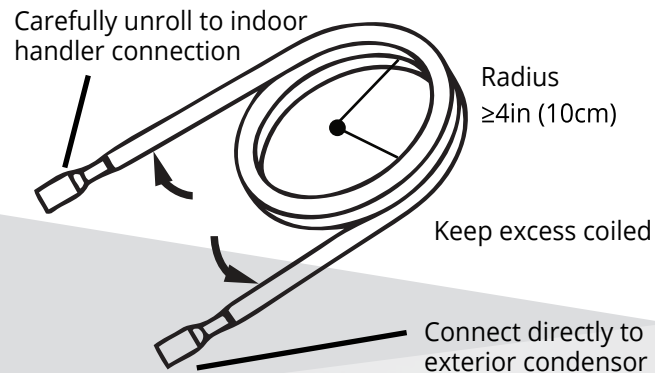
5. Using open ended wrenches (i.e. crescent or adjustable): hold the points marked "1" and turn the nuts only at the points marked "2" (Select the appropriate wrench according to the dimensions of the connector).

6. Ensure that the screw connectors do not skew while working quickly to tighten them.



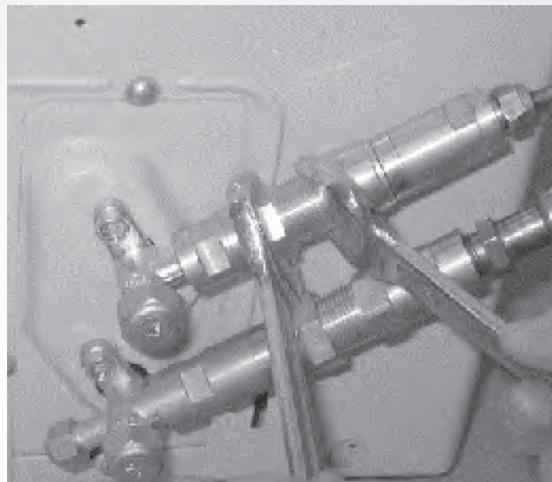
## STEP 5 - outside

1. Carefully roll the excess tubing and place it behind the condenser.
2. Attach the bundle connections to the outside condenser.



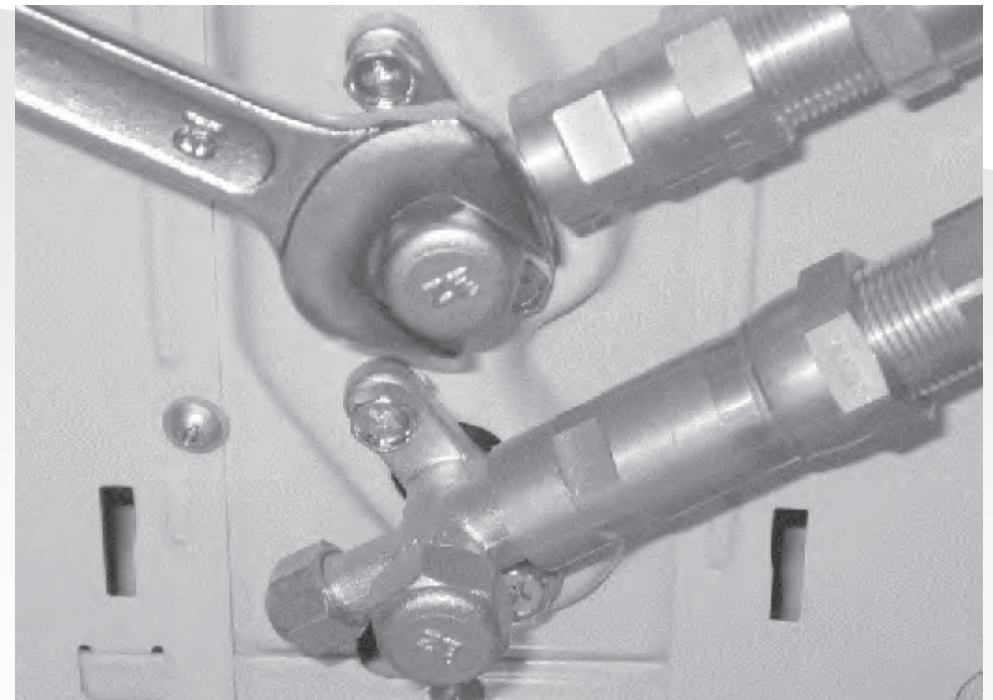
3. Using two crescent or adjustable wrenches, screw the quick connect components together. Use one to hold the valve and keep it from twisting and the other to tighten the fitting.

4. See manual for tool and torque requirements. Improper connection can void warranty.



## STEP 6 - outside

1. Remove the brass caps from the valves on the exterior condenser unit.
2. Use an Allen Wrench to open the valve until it stops turning. Be sure not to exert excessive force on the valve. You may hear a soft hissing sound as a slight amount of R-410a refrigerant exits the condenser.
3. Apply soapy water or leak detection spray to the Quick Connect® fittings. If you see bubbles, this indicates there is a leak. Tighten the connection accordingly until the bubbles are gone.

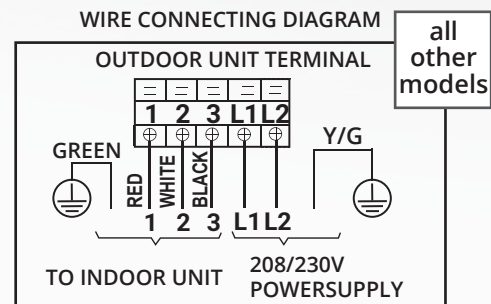
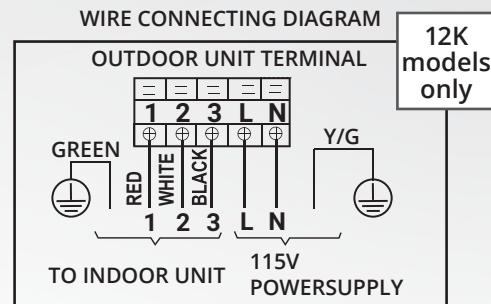


## STEP 7 - outside

### **WARNING**

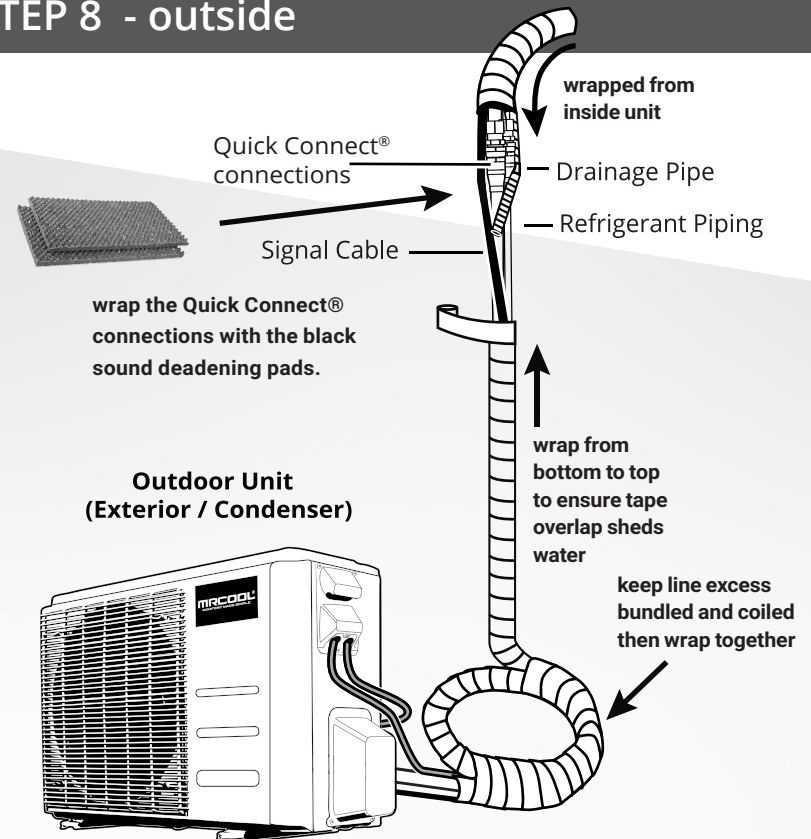
BEFORE PERFORMING ANY ELECTRICAL WORK, TURN OFF ALL POWER TO THE SYSTEM.

1. Wire colors of this series / model may differ from previous models, other series and general conventions.
2. All wiring must be performed in accordance with the wiring diagrams shown here and all municipal, state and federal regulations.
4. Be sure whether your unit is 115 volt (12K only) or 208/230 volt (all other sizes). Incorrect voltage can cause serious damage to the system and void the warranty.
5. A certified electrician is required to supply power from a disconnect of an appropriate rating - see manual.



1. Remove the electrical cover.
  2. Wires and terminals that are numbered should be matched and connected accordingly.
  3. If the unit is a 115 volt system (12K), hook to terminals \_L1\_ and \_\_N\_ and Ground.
  4. If the unit is a 208/230 volt system (all other sizes), hook to terminals \_L1\_ and \_L2\_ and Ground.
- Refer to the diagrams / photo at the bottom left.

## STEP 8 - outside



## STEP 8 - continued

1. To protect Quick Connect® connections and reduce vibration, wrap them with the black sound deadening pads. Pack tightly before wrapping the connections with the white pipe insulation. Refer to the diagram on the previous page.

2. To protect pipe insulation, use the vinyl tape to wrap the Quick Connect® lines and communication cable snugly together from bottom to top (to shed water). Wrap excess line set together in a coil beside the condenser. Refer to the diagram on the following page.

3. To further improve overall appearance and long term durability it is recommended to install using MRCOOL® LineGuard® (sold separately).

## STEP 9 - inside

1. Place the provided batteries in the remote control.

2. Press the Power button on the remote control.

3. The MrCool® DIY® Series should activate automatically.

4. To use the MRCOOL® Smartphone App refer to the Smart Controller Module instructions included in the box.



# DIY® E Star™ Series

3RD GEN Do-It-Yourself Ductless Mini-Split Heat Pump A/C

